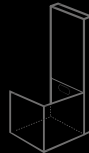




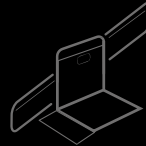
# MP ACCESSIBILITY



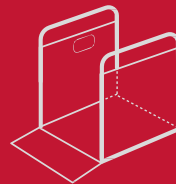
PLATFORM LIFT  
up to 2 m



PLATFORM LIFT  
up to 2.99 m



PLATFORM STAIRLIFT  
for straight stairs



PLATFORM STAIRLIFT  
for curved stairs



CHAIR STAIRLIFT  
for straight stairs



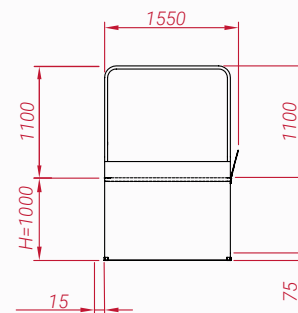
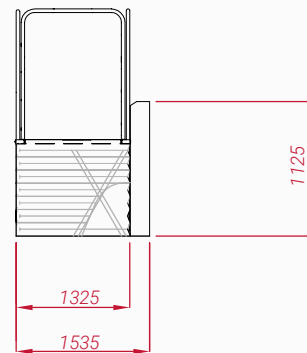
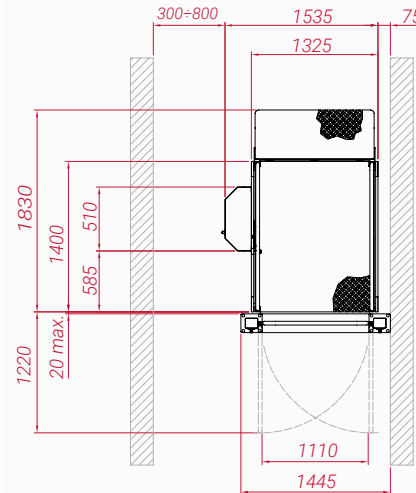
CHAIR STAIRLIFT  
for curved stairs



## MP VERTICAL S08 | PLATFORM LIFT

The MP S08 platform lift is the ideal solution for easily overcoming heights of up to one metre in height without the need for major construction work.



**VERTICAL PLATFORM LIFT**
**LARGE MODEL**


mplifts.com

**TECHNICAL INFORMATION**

	STANDARD	LARGE	EXTRA LARGE
VERTICAL / MAXIMUM HEIGHT (H)	800 mm	1000 mm	1000 mm
PLATFORM SIZE	1250 x 850 mm	1400 x 1120 mm	1400 x 1250 mm
WEIGHT CAPACITY	400 kg		
SPEED	0.04 m/s		
POWER SUPPLY	230 V (single phase)		
STOPS	1		
PIT	NO		
FINISH	RAL 7040 painted steel Lifting structure made from steel treated using cathaphoresis Black bellow guard Door columns made from painted metal		
PLATFORM MATERIAL	Non-slip aluminium		
SAFETY	Safety devices installed on the landing operating panels and on board. Equipped with a key switch to activate calls.		

**STANDARD FEATURES AND SAFETY**

- Design in accordance with Directive 2006/42/EC on Machinery
- Body of the machine and landing gate made from RAL 7040 painted steel
- Constant pressure control system in the car and on the landings
- Emergency stop button on board
- Removable key on the platform's controls
- 24 V CC auxiliary circuit
- Electric locks
- Safety gear with safety nut
- Doors can be opened using a triangle key
- Bellow guard to prevent passengers from becoming trapped

**OPTIONAL**

- Stainless steel
- Automatic door
- Walls and doors encased in grey polycarbonate
- Radio frequency remote control
- Remote control column
- Powered door and 90° exit

THE TECHNICAL INFORMATION GIVEN IS FOR GUIDANCE ONLY AND IS IN NO WAY BINDING.

**USES**

The MP S08 platform lift is available for two heights and is designed to allow those in a wheelchair to get up and down stairs and steps effortlessly.

**BENEFITS**
**EASY TO INSTALL**

Can be easily installed as it does not require a pit or major construction work.

**EASY TO USE**

Includes landing and control operating panels that are extremely easy to use as well as an electric lock that controls the opening of the upper landing door, allowing the passenger to exit.

**ADAPTABLE**

Allows for 90° and 180° entrances and can be connected to conventional electrical sockets. Can be installed on the inside and outside of buildings.

